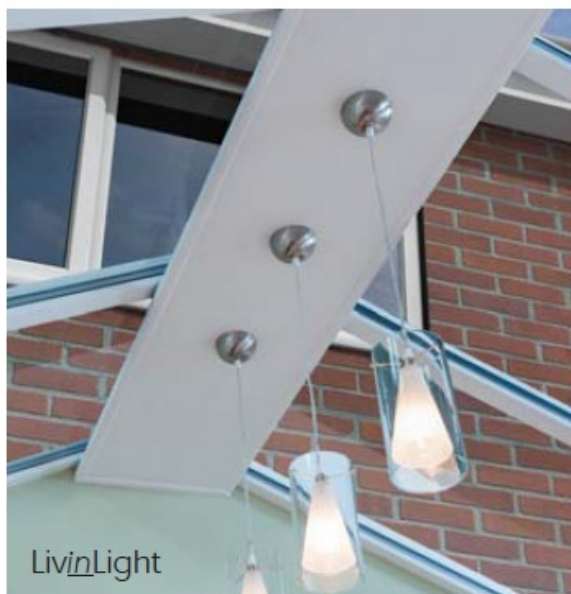


Adding Loggia Prestige package to a conservatory design

Loggia Prestige is a bundle that can be added to conservatories, to add affordable luxury to an otherwise standard design.

These new products are now available within UDesign and can be added in just one click!

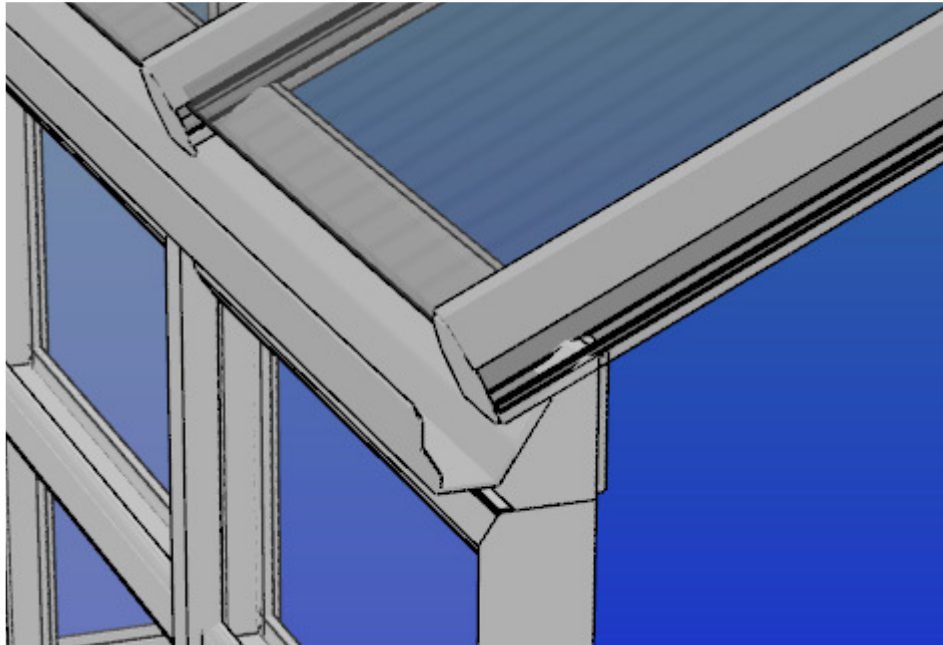
Externally, the Loggia Prestige bundle comprises 2x small Loggia corner posts and the Prestige Cornice style guttering, whilst internally the design is refreshed with **LiveinLight** - an internal lighting solution which runs below the ridge, and **Prestige shelf** - an insulating pelmet into which lights can be installed. The Prestige Shelf resembles a slimmed down version of the original LiveinRoom internal pelmet.



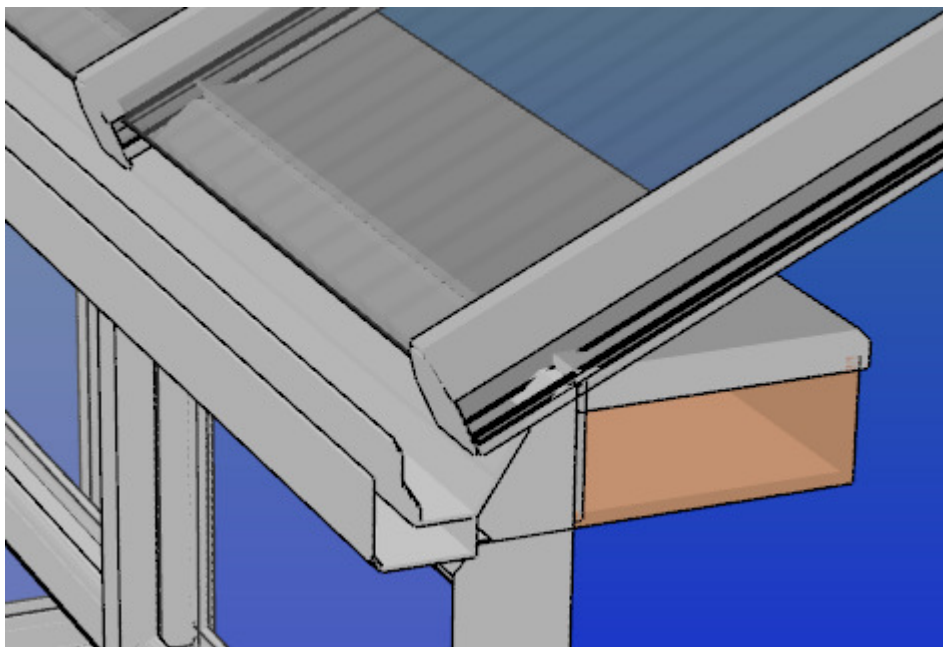
In addition to the visual impact of a Prestige Loggia extension, the end user can expect upto 30% savings on their heating bills, due to the insulation properties of these components.

Adding Prestige to your drawing

To turn a standard conservatory design into a Loggia Prestige extension, simply click into the **Ultraframe** tab, then click **Prestige It!** from the toolbar options.



Standard guttering specified in UDesign

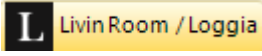


Prestige Shelf around the internal perimeter and Prestige Cornice guttering applied in UDesign

Removing Prestige from your drawing

To remove the Prestige features from a drawing and revert back to a standard conservatory, you'll need to remove the Loggia, Prestige Shelf and LivinLight and return the guttering back to the standard type, as outlined below.

Firstly, remove the Prestige shelf and Loggia by clicking into the **Ultraframe** tab, then click

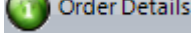
. Once this window opens, uncheck both boxes shown below

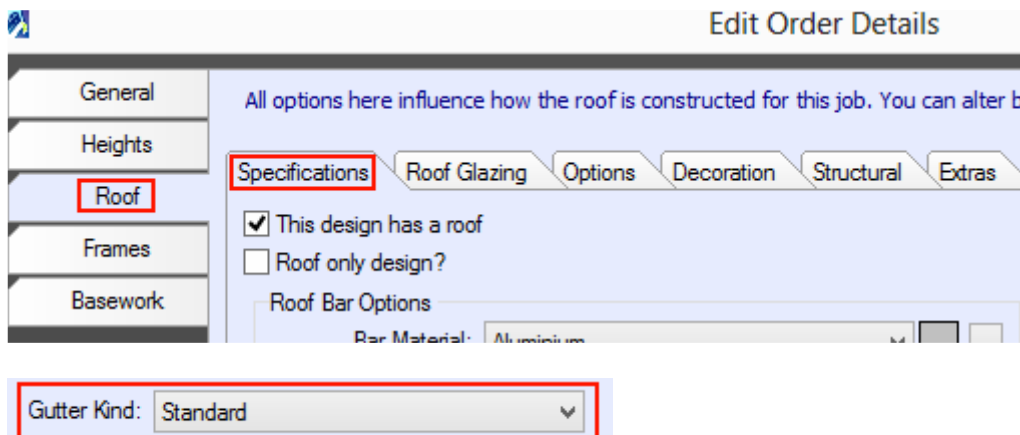


Loggia Options

Include Livin' Room on Design?

Include Loggia posts on Design?

Next, to remove the Prestige Cornice guttering, Click , then Select the **Roof** tab from the vertical list of tabs, and then **Specifications** from the horizontal bar of tabs. Click the **Gutter Kind** dropdown menu and change from 'Prestige Cornice' to 'Standard'.



Edit Order Details

General Heights **Roof** Frames Basework

All options here influence how the roof is constructed for this job. You can alter b

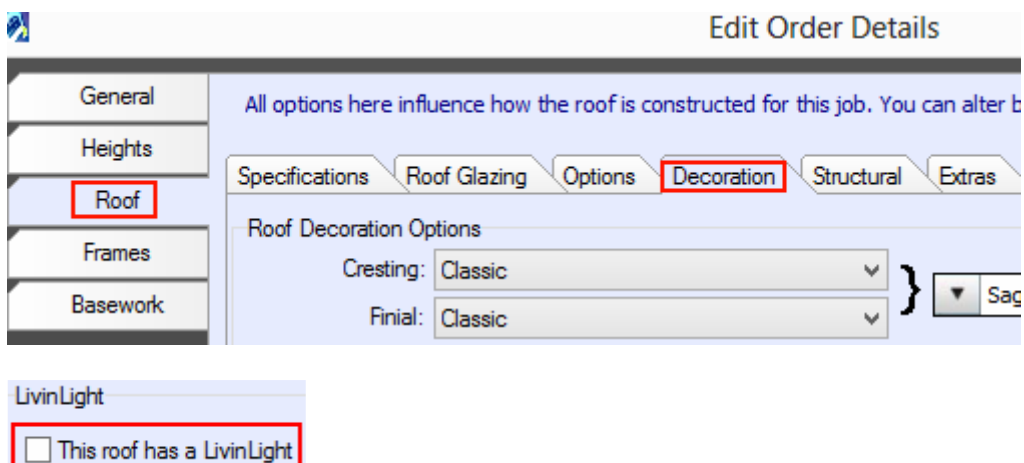
Specifications Roof Glazing Options Decoration Structural Extras

This design has a roof
 Roof only design?

Roof Bar Options
Bar Material: Aluminium

Gutter Kind: Standard

Finally, to remove the LivinLight from the ridge, whilst still in the roof section of Order Details, click the **Decoration** tab. In this window, uncheck the LivinLight option.



Edit Order Details

General Heights **Roof** Frames Basework

All options here influence how the roof is constructed for this job. You can alter b

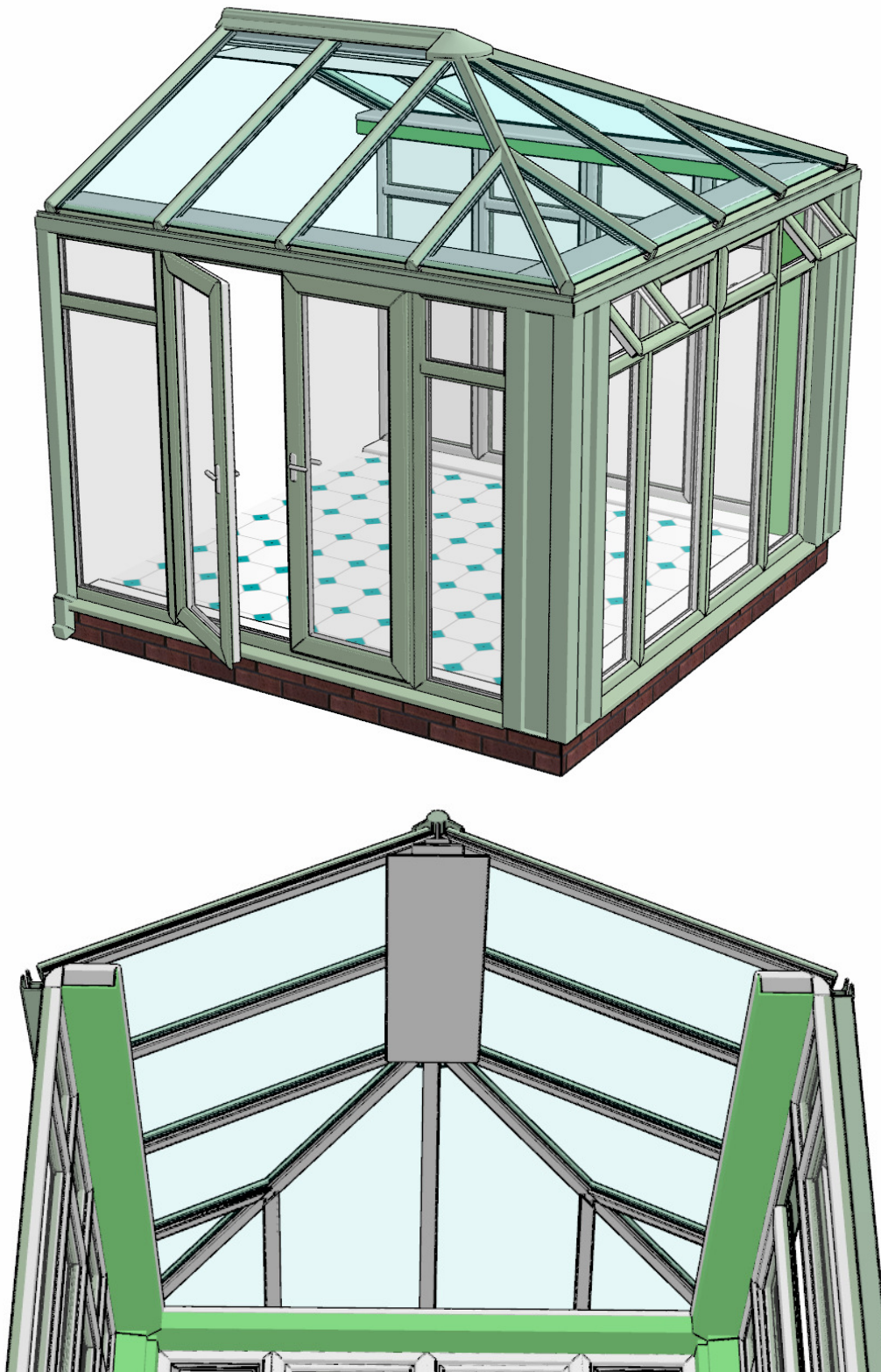
Specifications Roof Glazing Options **Decoration** Structural Extras

Roof Decoration Options

Cresting: Classic } Sag
Finial: Classic }

LivinLight
 This roof has a LivinLight

Sage Green Edwardian with Prestige bundle applied and lime green internal finishing to Loggia and Prestige Shelf



For more detailed information relating to Loggia Prestige, please visit Ultraframe's webpage and why not download the online brochure - [Loggia Prestige Webpage](#)